

www.grubenlift.de



HKS-LM 800

Hydraulic-pneumatic pit lift with air motor and long stroke for gearbox removal etc. Lifting capacity 6.5–20 to.



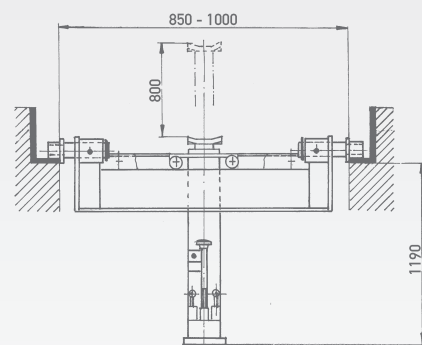
The slim pit lift for your truck and bus operation and inspection pit – now with SGS rust protection

- Air motor for precise lifting or the load; emergency hand pump included
- Quick lift up to load, and forced hydraulic post return with SGS rust-protection system
- Fully hydraulic operation
- Piston rod and pump piston polished and hard chromium plated
- All pipes and operating elements in steel or aluminium, valves encapsulated
- Needle-bearing rollers on jack and carriage
- Carriage optionally rigid or adjustable from 850 to 1000 mm at no extra charge*
- Easy operation through ergonomic arrangement of operating elements

Type	Lifting Capacity	Stroke
HKS-LM 6/800	6,5 to	800 mm
HKS-LM 10/800	11 to	800 mm
HKS-LM 14/800	14 to	800 mm
HKS-LM 16/800*	16 to	800 mm
HKS-LM 20/800*	20 to	800 mm

*16/20 to. only rigidly welded carriage to the dimensions of your pit.

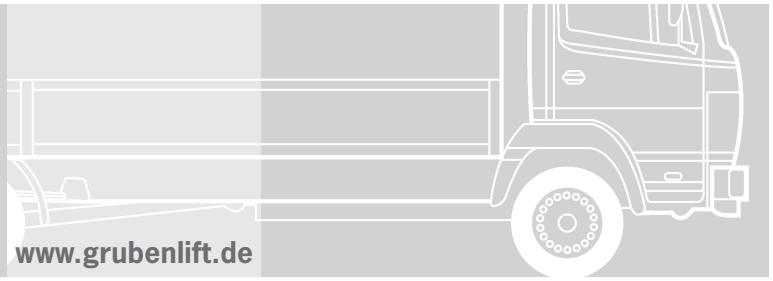
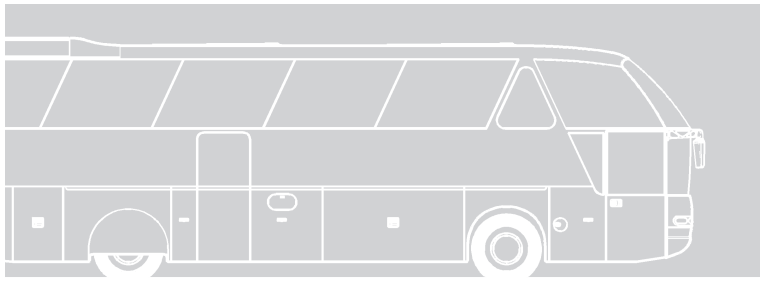
SOMMERER PIT LIFT – the original –



ERICH SOMMERER GMBH

Mönsheimer Straße 28
D-71292 Frieolzheim
Phone 0 70 44/94 52-0
Fax 0 70 44/94 52-31
e-mail info@grubenlift.de





www.grubenlift.de



HKS-LM 600

Hydraulic-pneumatic pit lift with air motor Lifting capacity 6.5–20 to.



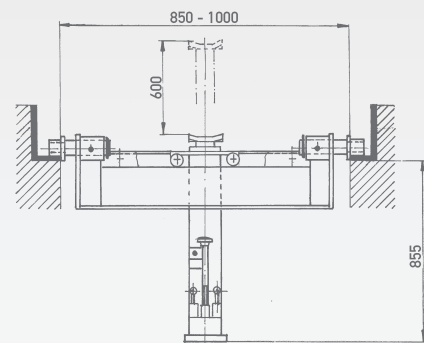
The slim pit lift for your truck and bus operation and inspection pit – now with SGS rust protection

- Air motor for precise lifting of the load; emergency hand pump included
- Quick lift up to load, and forced hydraulic post return with SGS rust-protection system
- Fully hydraulic operation
- Piston rod and pump piston polished and hard chromium plated
- All pipes and operating elements in steel or aluminium, valves encapsulated
- Needle-bearing rollers on jack and carriage
- Carriage optionally rigid or adjustable from 850 to 1000 mm at no extra charge*
- Easy operation through ergonomic arrangement of operating elements

Type	Lifting capacity	Stroke
HKS-LM 6/600	6.5 to.	600 mm
HKS-LM 10/600	11 to.	600 mm
HKS-LM 14/600	14 to.	600 mm
HKS-LM 16/600*	16 to.	600 mm
HKS-LM 20/600*	20 to.	600 mm

*16/20 to. only rigidly welded carriage to the dimensions of your pit.

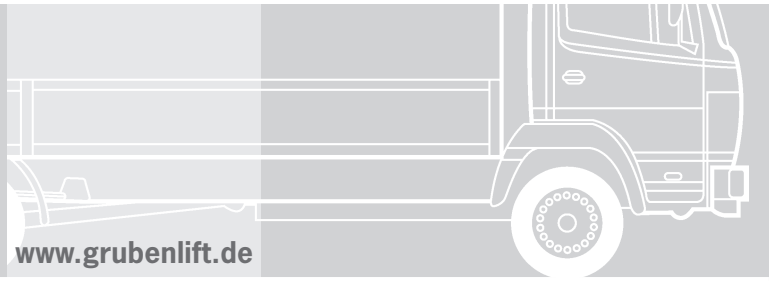
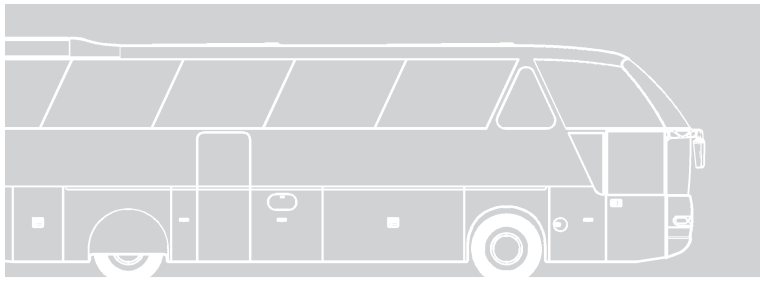
SOMMERER PIT LIFT – the original –



ERICH SOMMERER GMBH

Mönsheimer Straße 28
D-71292 Frielzheim
Phone 0 70 44/94 52-0
Fax 0 70 44/94 52-31
e-mail info@grubenlift.de





www.grubenlift.de



HKS 800

**Hydraulic-pneumatic pit lift with long stroke for gearbox removal, etc.
Lifting capacity 6.5–20 to.**



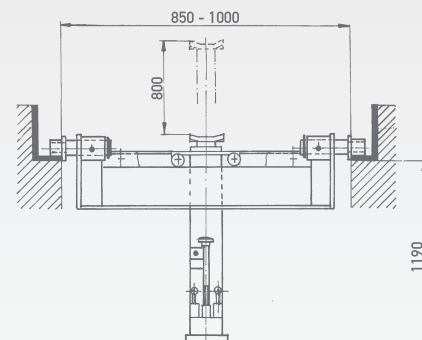
The slim pit lift for your truck and bus operation – now with SGS rust protection

- Quick lift up to load and forced piston return with SGS rust-protection system
- 2-stage manual hydraulics for quick lift and load lifting (6.5 to 1 hand pump)
- Fully hydraulic operation
- Piston rod and pump piston polished and hard chromium plated
- All pipes and operating elements in steel or aluminium, valves encapsulated
- Needle-bearing rollers on jack and carriage
- Carriage optionally rigid or adjustable from 850 to 1000 mm at no extra charge*
- Easy operation through ergonomic arrangement of operating elements

Type	Lifting Capacity	Stroke
HKS 6/800	6,5 to	800 mm
HKS 10/800	11 to	800 mm
HKS 14/800	14 to	800 mm
HKS 16/800*	16 to	800 mm
HKS 20/800*	20 to	800 mm

*16/20 to. only rigidly welded carriage to the dimensions of your pit.

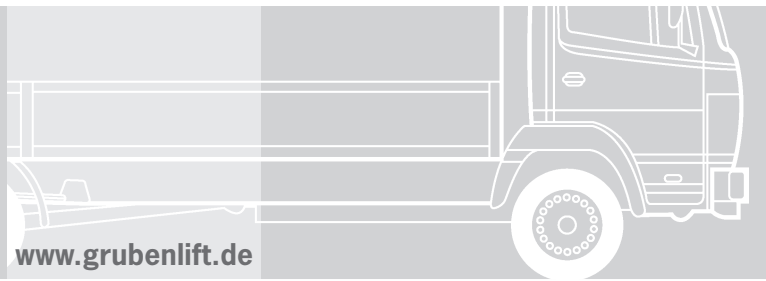
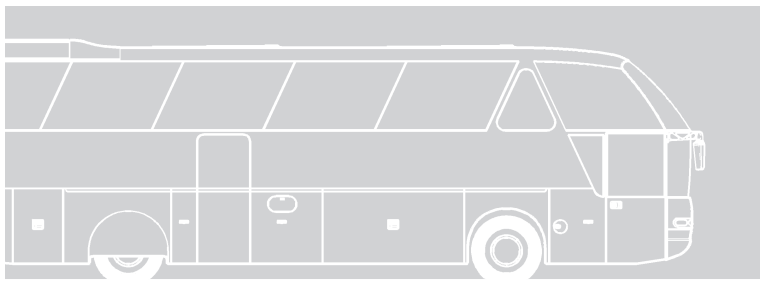
SOMMERER PIT LIFT – the original –



ERICH SOMMERER GMBH

Mönsheimer Straße 28
D-71292 Frieolzheim
Phone 0 70 44/94 52-0
Fax 0 70 44/94 52-31
e-mail info@grubenlift.de





www.grubenlift.de



HKS 600

Hydraulic-pneumatic pit lift Lifting capacity 6.5–20 to.



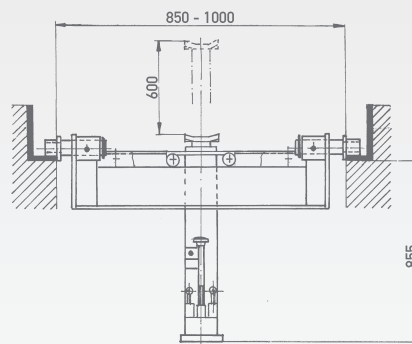
The slim pit lift for your truck and bus operation – now with SGS rust protection

- Quick lift up to load and forced piston return with SGS rust-protection system
- 2-stage manual hydraulics for quick lift and load lifting (6.5 to 1 hand pump)
- Fully hydraulic operation
- Piston rod and pump piston polished and hard chromium plated
- All pipes and operating elements in steel or aluminium, valves encapsulated
- Needle-bearing rollers on jack and carriage
- Carriage optionally rigid or adjustable from 850 to 1000 mm at no extra charge*
- Easy operation through ergonomic arrangement of operating elements

Type	Lifting Capacity	Stroke
HKS 6/600	6,5 to.	600 mm
HKS 10/600	11 to.	600 mm
HKS 14/600	14 to.	600 mm
HKS 16/600*	16 to.	600 mm
HKS 20/600*	20 to.	600 mm

*16/20 to. only rigidly welded carriage to the dimensions of your pit.

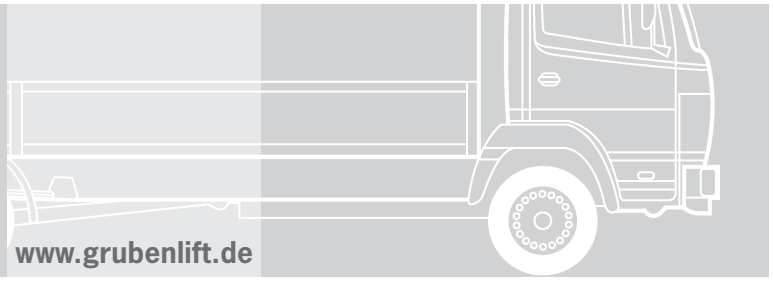
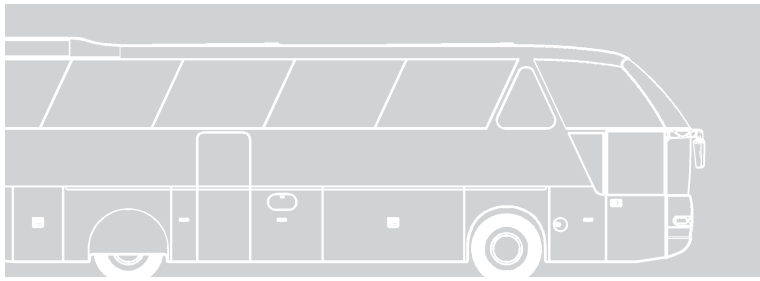
SOMMERER PIT LIFT – the original –



ERICH SOMMERER GMBH

Mönsheimer Straße 28
D-71292 Frieolzheim
Phone 0 70 44/94 52-0
Fax 0 70 44/94 52-31
e-mail info@grubenlift.de





www.grubenlift.de



HKH 800

**Manual-hydraulic pit lift with long stroke for gearbox removal, etc.
Lifting capacity 6.5–20 to.**



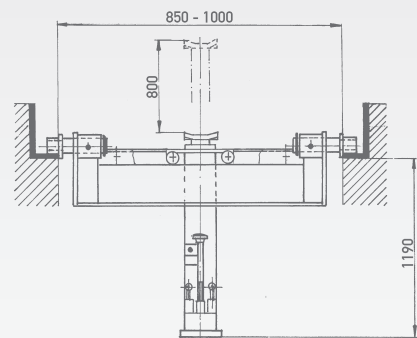
The slim pit lift for your truck and bus operation – now with SGS rust protection

- SGS rust-protection system with forced hydraulic-pneumatic forced return (6 bar compressed-air connection required)
- 2-stage manual hydraulics for quick lift and load lifting (6.5 to. 1 hand pump)
- Fully hydraulic operation
- Piston rod and pump piston polished and hard chromium plated
- All pipes and operating elements in steel or aluminium
- Rollers of the carriage fitted with needle bearings
- Carriage optionally rigid or adjustable from 850 to 1000 mm at no extra charge*
- Easy operation through ergonomic arrangement of operating elements

Type	Lifting Capacity	Stroke
HKH 6/800	6.5 to.	800 mm
HKH 10/800	11 to.	800 mm
HKH 14/800	14 to.	800 mm
HKH 16/800*	16 to.	800 mm
HKH 20/800*	20 to.	800 mm

*16/20 to. only rigidly welded carriage to the dimensions of your pit.

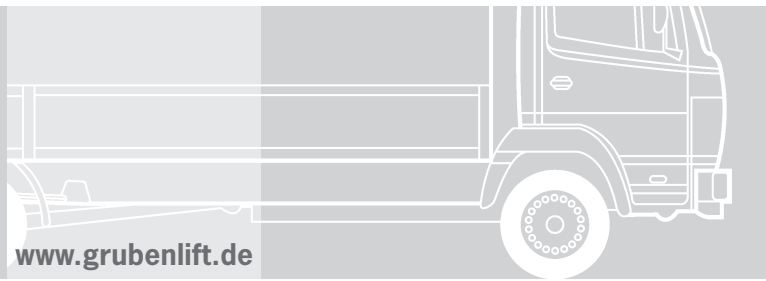
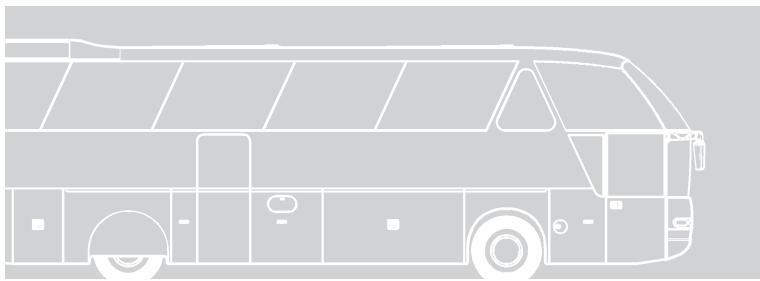
SOMMERER PIT LIFT – the original –



ERICH SOMMERER GMBH

Mönsheimer Straße 28
D-71292 Frieolzheim
Phone 0 70 44/94 52-0
Fax 0 70 44/94 52-31
e-mail info@grubenlift.de





www.grubenlift.de



HKH 600

Manual-hydraulic pit lift Lifting capacity 6.5–20 to.

The slim pit lift for your truck and bus operation – now with SGS rust protection

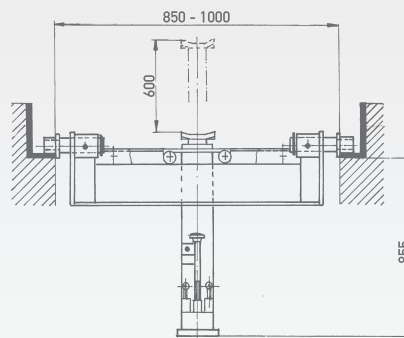
- SGS rust-protection system with forced hydraulic-pneumatic forced return (6 bar compressed-air connection required)
- 2-stage manual hydraulics for quick lift and load lifting (6.5 to 1 hand pump)
- Fully hydraulic operation
- Piston rod and pump piston polished and hard chromium plated
- All pipes and operating elements in steel or aluminium
- Rollers of the carriage fitted with needle bearings
- Carriage optionally rigid or adjustable from 850 to 1000 mm at no extra charge*
- Easy operation through ergonomic arrangement of operating elements



Type	Lifting Capacity	Stroke
HKH 6/600	6.5 to.	600 mm
HKH 10/600	11 to.	600 mm
HKH 14/600	14 to.	600 mm
HKH 16/600*	16 to.	600 mm
HKH 20/600*	20 to.	600 mm

*16/20 to. only rigidly welded carriage to the dimensions of your pit.

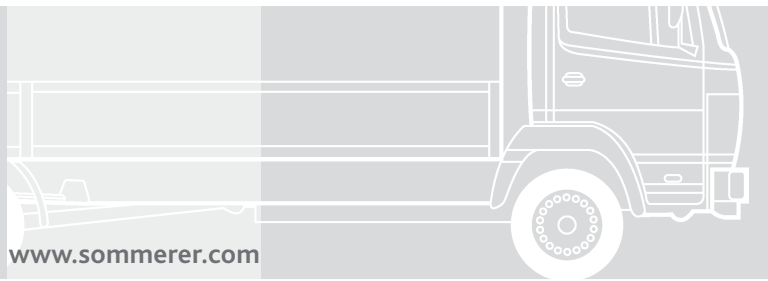
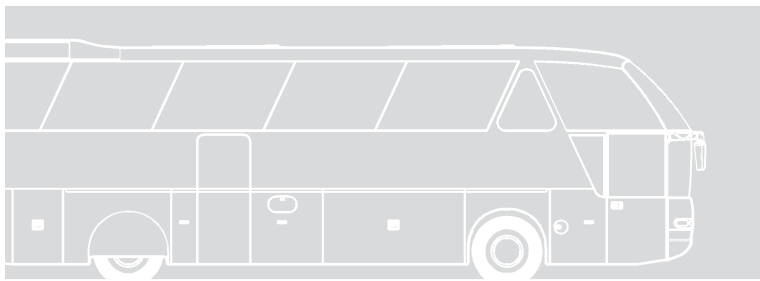
SOMMERER PIT LIFT – the original –



ERICH SOMMERER GMBH

Mönsheimer Straße 28
D-71292 Frieolzheim
Phone 0 70 44/94 52-0
Fax 0 70 44/94 52-31
e-mail info@grubenlift.de





www.sommerer.com



HKE

Electro-hydraulic Pit Lift with Long Lift Load capacity 10–20 t



HKE 14/800

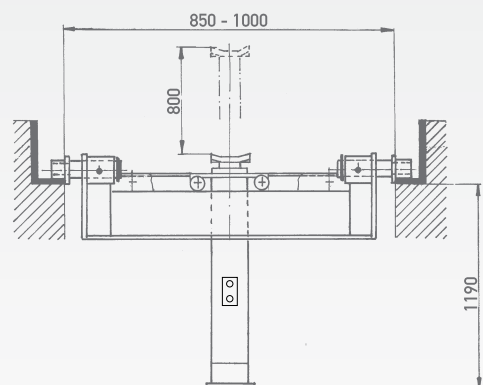
The slim pit lift for your lorry and bus business and your testing pit

- Electro-hydraulic drive
- Load lifted by means of operating keys, sensitive controls
- Special corrosion protection by way of piston rod and cylinder surrounded by oil
- Powerful 3 KW motor 400 V/16 A
- Lifting time 32 sec for complete lift of 800 mm
- Rollers with needle-roller bearings at lift and chassis
- Choice of rigid or adjustable chassis, 850 – 1000 mm, without additional cost*
- Easy to handle by way of the ergonomic placement of the operating elements
- 6 m connection cable with euro plug CEE 16 A

Model	Load capacity	Lift
HKE 10-800	10 t*	800 mm
HKE 14-800	14 t*	800 mm
HKE 16-800	16 t*	800 mm
HKE 20-800	20 t*	800 mm

*from 16 tonnes and over 1000 mm only rigidly welded chassis according to the dimensions of your pit

SOMMERER PIT LIFT

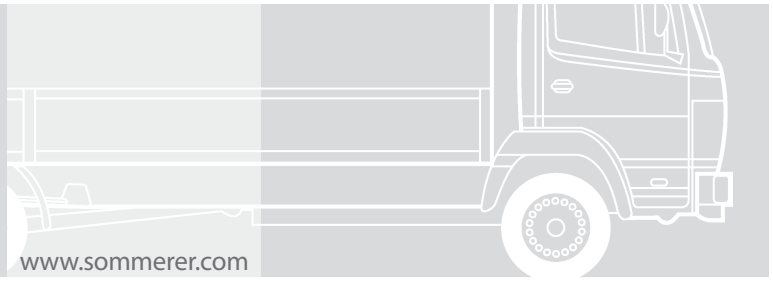
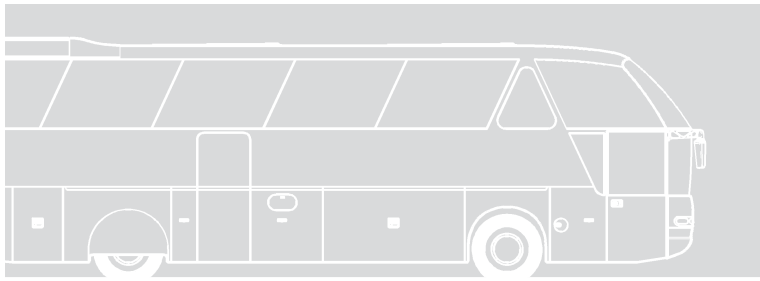


ERICH SOMMERER GMBH

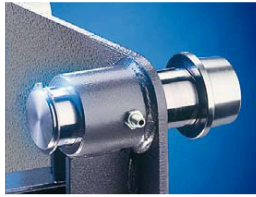
Mönsheimer Straße 28
D-71292 Friolzheim
Tel. +49 (0) 7044 9452-0
Fax +49 (0) 7044 9452-31
info@sommerer.com

DIN EN ISO 9001:2000





www.sommerer.com



TKS

Floor-guided Universal Pit Lift Load capacity 14–20 t



TKS 14/1200 FV



TKS-LM-HS 14/1200



TKS 14/1200 FV-Q with axle cross
beam ATB V-16
Axle cross beam not supplied

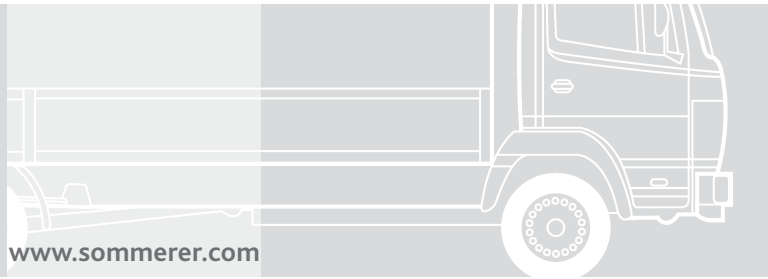
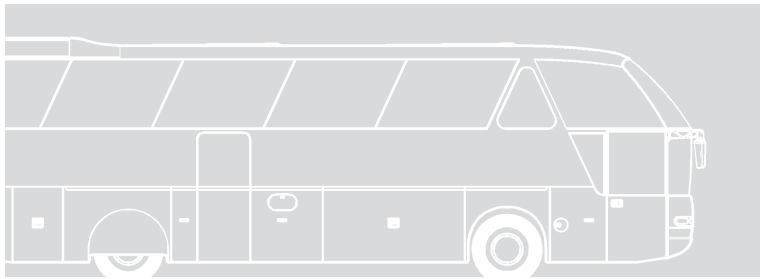
SOMMERER PIT LIFT

ERICH SOMMERER GMBH

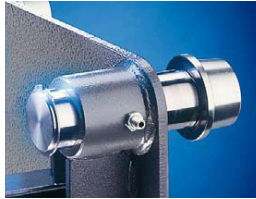
Mönsheimer Straße 28
D-71292 Frieolzheim
Tel. +49 (0) 7044 9452-0
Fax +49 (0) 7044 9452-31
info@sommerer.com

DIN EN ISO 9001:2000





www.sommerer.com



TKS

Floor-guided Universal Pit Lift Load capacity 14–20 t

**The all-rounder for your lorry and bus business
work yard and your testing pit**

14 t or 20 t load capacity over the entire
1200 mm lifting height

Faster and safer removal of all units from
below

Pneumatic quick lift until the load is sup-
ported and forced plunger return of both tele-
scope cylinders for shorter cycle times

Foot operation for quick lifting and load lifting
with air motor

Fully hydraulic method of operation

Piston rod and cylinder polished and hard
chrome-plated

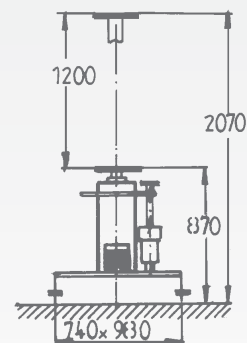
Ball-bearing carrying wheels lock independ-
ently when holding a load



TKS 14/1200 Z

Model	Load capacity	Lift	Model
TKS 14/1200 FV	14/14 t	1200 mm	can be moved freely
TKS 14/1200 FV-Q	14/14 t	1200 mm	can be moved freely/ sideways
TKS 14/1200 Z	14/14 t	1200 mm	rail-guided on pit floor
TKS-LM-HS 14/1200	14/14 t	1200 mm	suspended
TKS 20/1200 FV	20/20 t	1200 mm	can be moved freely
TKS 20/1200 FV-Q	20/20 t	1200 mm	can be moved freely/ sideways
TKS 20/1200 Z	20/20 t	1200 mm	rail-guided on pit floor

SOMMERER PIT LIFT

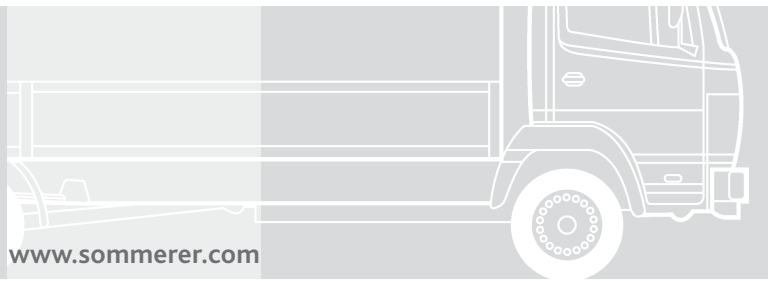
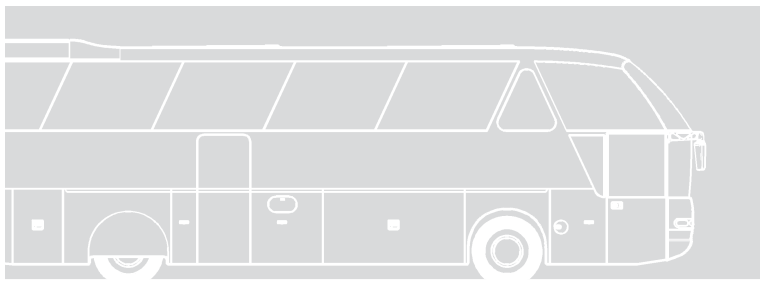


ERICH SOMMERER GMBH

Mönsheimer Straße 28
D-71292 Frieolzheim
Tel. +49 (0) 7044 9452-0
Fax +49 (0) 7044 9452-31
info@sommerer.com

DIN EN ISO 9001:2000





www.sommerer.com



FKS

Floor-guided Pit Lift Load capacity 10–20 t

The floor-guided lift for the testing pit

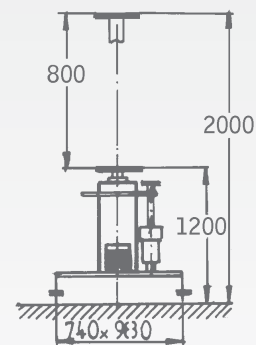
- 10, 14, 16 and 20 t load capacity
- Lift of 800 mm
- Total lift height of 1900 mm
- Hydraulic-pneumatic quick hoist and controlled return with SOMMERER rust-proofing system
- Chrome-plated piston rod with particularly long guide
- Precision hoist for exact positioning of the load
- Load lifting by way of foot hydraulics or with air motor
- Hand operation for quick lifting and plunger return
- Robust finish with high structural stability
- Chassis freely movable on polyamide rollers, self-locking from 1.5 t or rail-guided in L or U-profiles



FKS-LM 14/800 Z

Model	Load capacity	Lift	Model
FKS 10, 14, 16, 20 FV	10, 14, 16, 20 t	800 mm	can be moved freely
FKS 10, 14, 16, 20 Z	10, 14, 16, 20 t	800 mm	rail-guided
FKS-LM 10, 14, 16, 20 FV	10, 14, 16, 20 t	800 mm	can be moved freely with air motor
FKS-LM 10, 14, 16, 20 Z	10, 14, 16, 20 t	800 mm	rail-guided with air motor

SOMMERER PIT LIFT

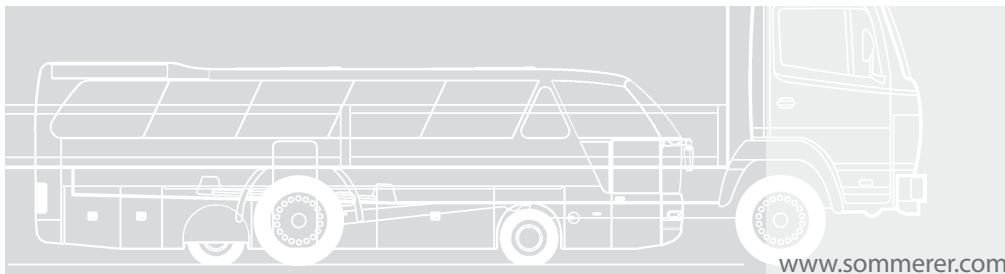


ERICH SOMMERER GMBH

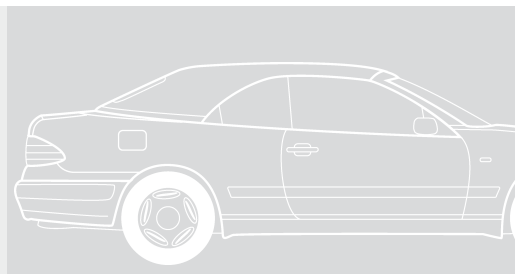
Mönsheimer Straße 28
D-71292 Friolzheim
Tel. +49 (0) 7044 9452-0
Fax +49 (0) 7044 9452-31
info@sommerer.com

DIN EN ISO 9001:2000





www.sommerer.com



TKT

Hydraulic-pneumatic Gear Box Lift Load capacity 2–6 t

The ideal supplement to wheeled gripping equipment and lifting platforms

Including gear box base plate GP

1300 x 200 mm

2–6 t load capacity over the entire lifting height

Faster and safer removal of all units from below

Pneumatic quick lift until the load is supported

Foot pump for load lifting or automatically with air motor

Fully hydraulic method of operation

Piston rod and pump pistons polished and hard chrome-plated

Special corrosion protection by way of piston rods and cylinders surrounded by oil

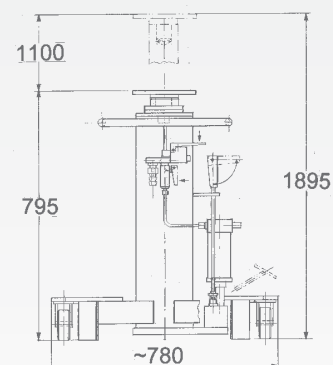
Robust finish with high structural stability by way of spring-cushioned, self-locking travelling mechanism or suspended (HS model) in the pit



TKT-LM 2

Model	Load capacity	Lift	Model
TKT 2	2 t	1100 mm	hydr.-pneumatic
TKT-HS 2	2 t	1100 mm	ditto suspended
TKT-LM 2	2 t	1100 mm	hydr.-pneumatic/air motor
TKT-HS-LM 2	2 t	1100 mm	ditto suspended
TKT-LM 4	4 t	1100 mm	hydr.-pneumatic/air motor
TKT-HS-LM 4	4 t	1110 mm	ditto suspended
TKT-LM 6	6 t	1100 mm	hydr.-pneumatic/air motor
TKT-HS-LM 6	6 t	1110 mm	ditto suspended

SOMMERER PIT LIFT

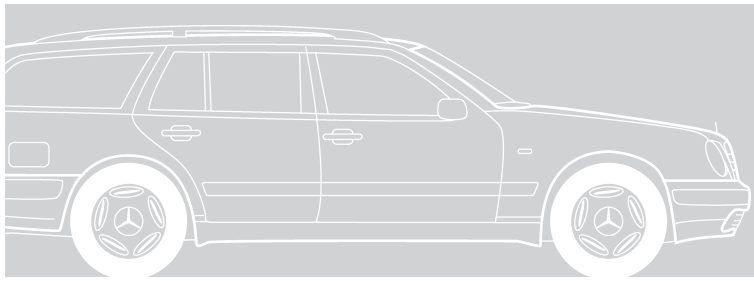


ERICH SOMMERER GMBH

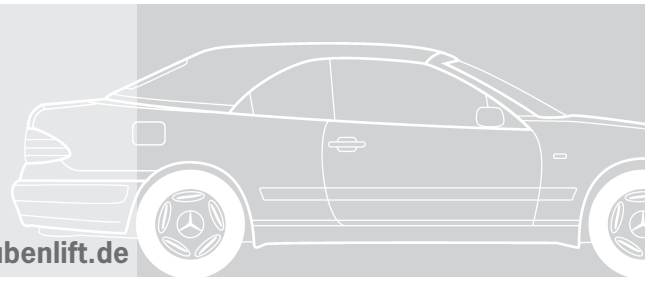
Mönsheimer Straße 28
D-71292 Friolzheim
Tel. +49 (0) 7044 9452-0
Fax +49 (0) 7044 9452-31
info@sommerer.com

DIN EN ISO 9001:2000





www.grubenlift.de



PKW

Pneumatic pit lift for passenger cars capacity 2–3.5 to.



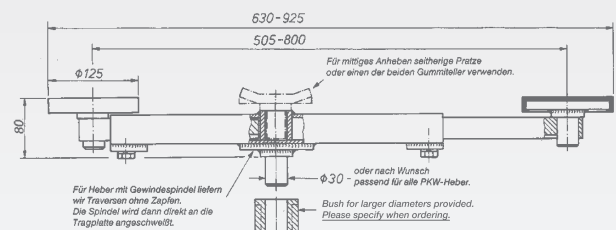
The slim pit lift for your inspection pit

- Pneumatically forced control for raising and lowering
- Smooth fine control
- Knob valve pre-controlled and self-ventilating
- Piston rod polished and hard chromium plated
- Carriage for adjustment up to 1010 mm
- Easy operation through ergonomic arrangement of operating elements

Cross member not included in scope of delivery

Cross member ATV for passenger cars Lifting capacity 1.2 to

Suitable for all passenger cars pit lifts up to 2.5 to. for lifting the vehicle at two points with adjustable resets.



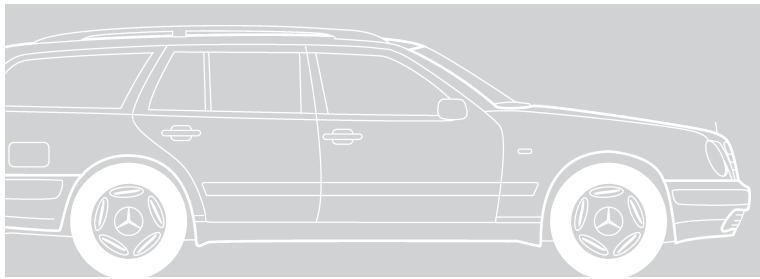
Type	Lifting Capacity at 15 / 6 bar	Stroke
LS 2	2.000 / 750 kg	450 mm
LS 2,5	2.500 / 1.100 kg	450 mm
LS 4	3.500 / 1.600 kg	450 mm

ERICH SOMMERER GMBH

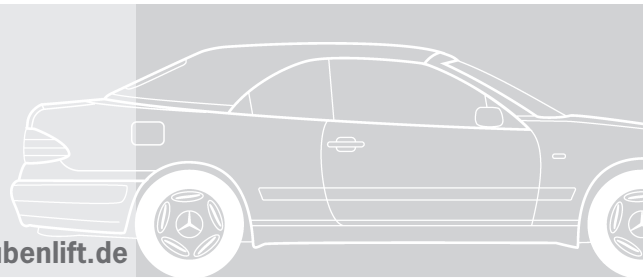
Mönsheimer Straße 28
D-71292 Frieolzheim
Phone 070 44/94 52-0
Fax 070 44/94 52-31
e-mail info@grubenlift.de



SOMMERER PIT LIFT – the original –



www.grubenlift.de



PKW

Pneumatic-hydraulic axle jack for 4-column hoist. Lifting capacity 1.5–4 to.



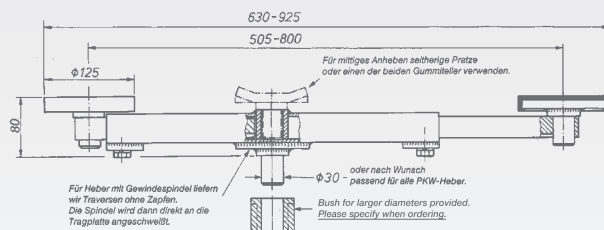
The short pit lift for your 4-column hoist

- Single post or telescopic version
- Lifting post and pump cylinder hard chromium plated
- Fully hydraulic or pneumatic operation
- Exchangeable rollers, suitable for all vehicle hoists
- Carriage for adjustment up to 1010 mm
- Small vertical dimensions

Cross member not included in scope of delivery

Cross member ATV for passenger cars Lifting capacity 1.2 to.

Suitable for all PKW pit lifts up to 2.5 to. for lifting the vehicle at two points with adjustable resets.



Type	Lifting Capacity at 15 / 6 bar	Stroke *
VLS 2	2.000 / 750 kg	250 mm
VLТ 1,5	1.500 / 500 kg	400 mm

Hydraulic

VH 2	2.000 kg	250 mm
VHT 2	2.000 kg	400 mm
VHT 4	4.000 kg	400 mm
VHT 6	4.000 kg	400 mm

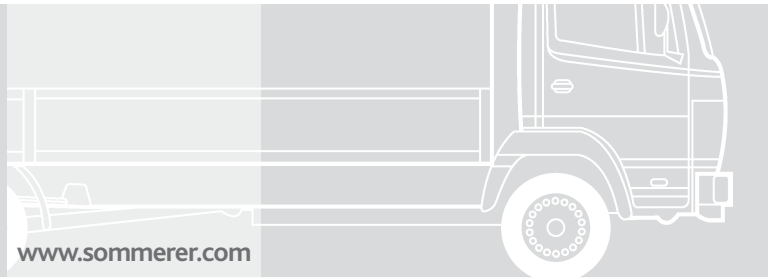
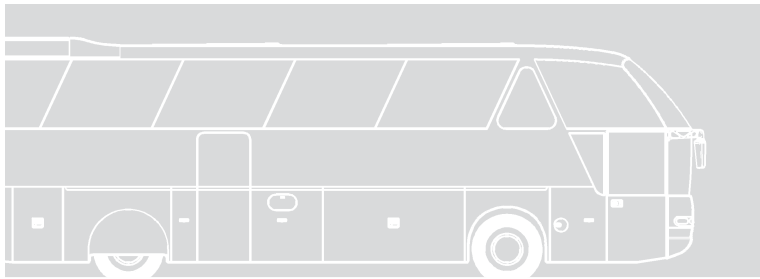
* including socket extension

ERICH SOMMERER GMBH

Mönsheimer Straße 28
D-71292 Frieolzheim
Phone 070 44/94 52-0
Fax 070 44/94 52-31
e-mail info@grubenlift.de



SOMMERER PIT LIFT – the original –



www.sommerer.com



ATL/ATB

Universal Axle Cross Beams for Lorries and Buses



ATL 14



ATB-V 16



ATB 14

Axle cross beams for raising the vehicle at two points with adjustable rests

ATL (lorry)

200 – 900 mm adjustable

Universal use

For raising the front and rear axle in accordance with the manufacturer's regulations

ATB-V 16 (low-frame bus)

Up to 1500 mm adjustable

Universal use

Particularly suited to low-frame busses
Total height 140 mm

ATB (lorry, bus)

Adjustment range of 200 – 900 mm

Universal use

Model	Load capacity	Adjustment range
ATL 14	14 t	200 – 900 mm
ATL 20	20 t	200 – 900 mm
ATB 14	14 t	200 – 900 mm
ATB 20	20 t	200 – 900 mm
ATB-V 16	16 t	900 – 1500 mm

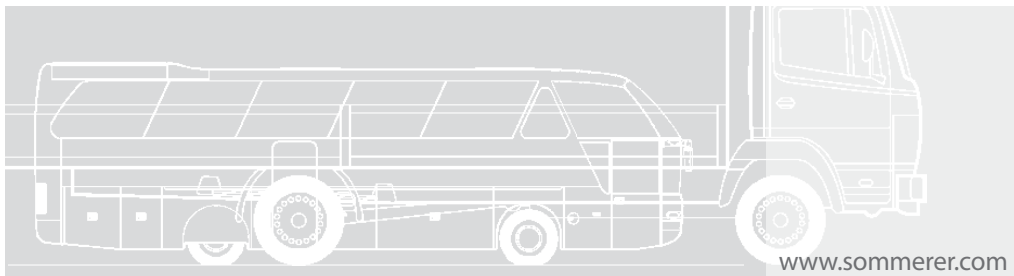
SOMMERER PIT LIFT

ERICH SOMMERER GMBH

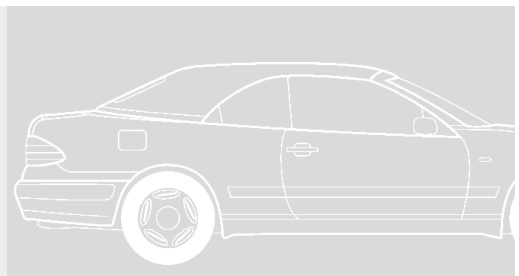
Mönsheimer Straße 28
D-71292 Frielzheim
Tel. +49 (0) 7044 9452-0
Fax +49 (0) 7044 9452-31
info@sommerer.com

DIN EN ISO 9001:2000



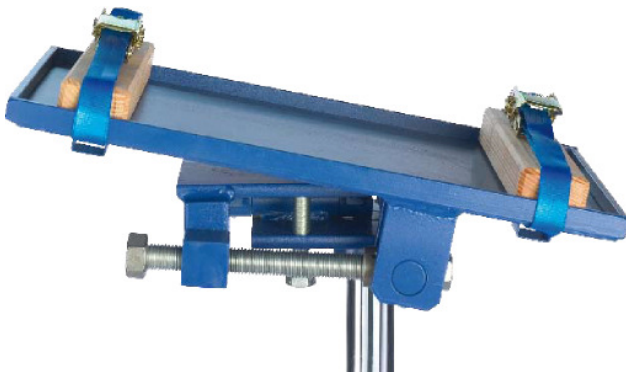


www.sommerer.com



Load supports

Transmission plate GP 4



Transmission plate GP 4 A

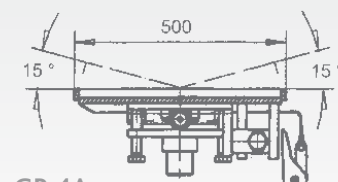
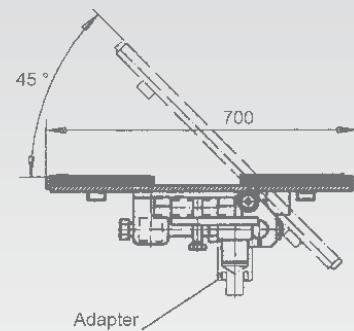


TKT-HS

Transmission plate not supplied

Model	Size	Model
GP 1	200 x 300 mm	rigid, no diag.
GP 2	520 x 350 mm	rigid with straps and wooden block
GP 2 A	700 x 500 mm	rigid with straps and elastomeric base
GP 4	520 x 350 mm	can be swivelled through 45°, including straps and wooden block
GP 4 A	700 x 500 mm	can be swivelled through 45°, including straps and elastomeric bases

SOMMERER PIT LIFT

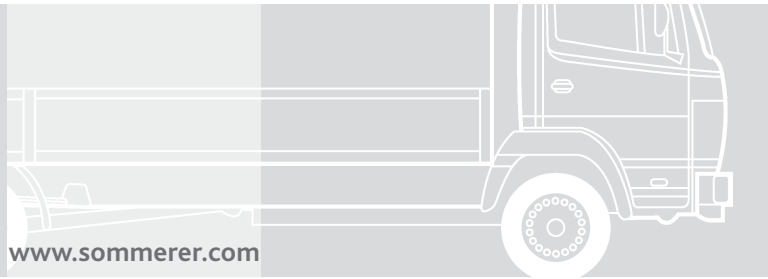
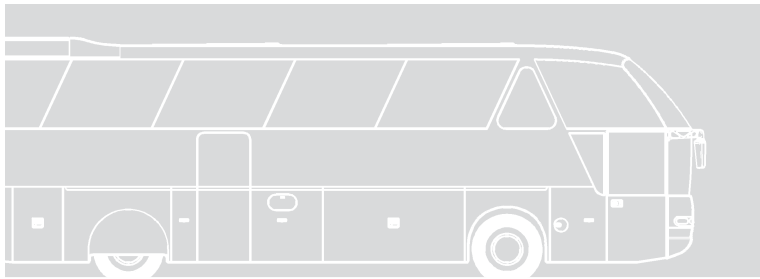


GP 4A

ERICH SOMMERER GMBH

Mönsheimer Straße 28
 D-71292 Frieolzheim
 Tel. +49 (0) 7044 9452-0
 Fax +49 (0) 7044 9452-31
 info@sommerer.com





www.sommerer.com



ABT/AEFK

Universal Support Systems

Simultaneously lifts and supports in a single operation

Off-centre lifting by means of adjustable axle cross beam

Easy and secure supporting

Various support heights and load supports

Universal use



ABT



AEFK

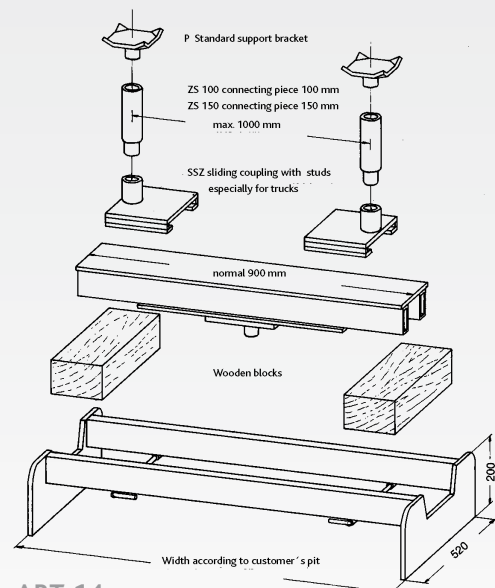
ABT

consists of a special carriage with ABT carrying bars

AEFK

consists of an AEF axle arch, opening at one side, and an ATL axle cross beam

SOMMERER PIT LIFT



ABT 14

Type	Load capacity
ABT Lorry 14	14 t
ABT Lorry 20	20 t
AEFK	14 t
AEFK	20 t

ERICH SOMMERER GMBH

Mönsheimer Straße 28
D - 71292 Frieolzheim
Tel. +49 (0) 7044 9452-0
Fax +49 (0) 7044 9452-31
info@sommerer.com

DIN EN ISO 9001:2000

